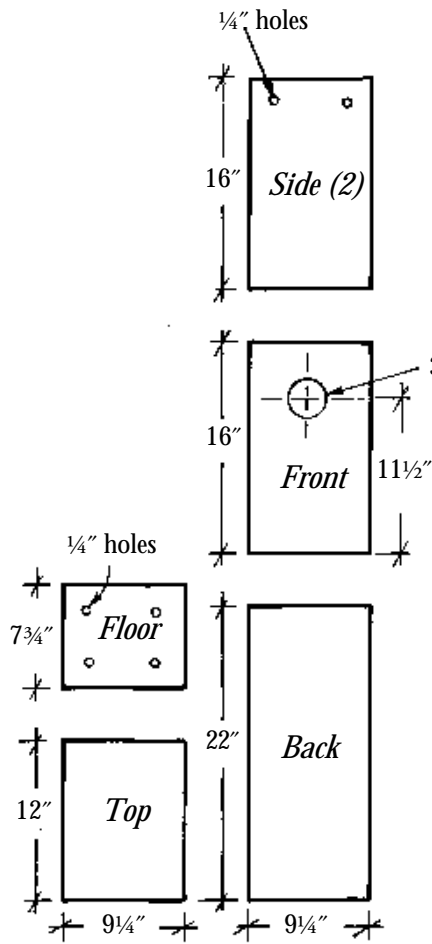
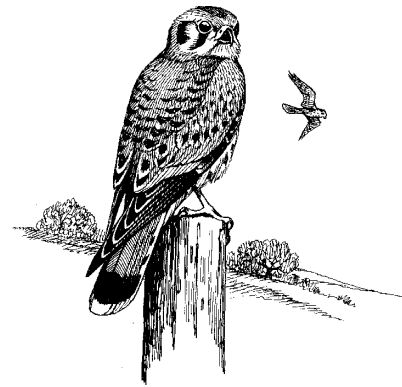
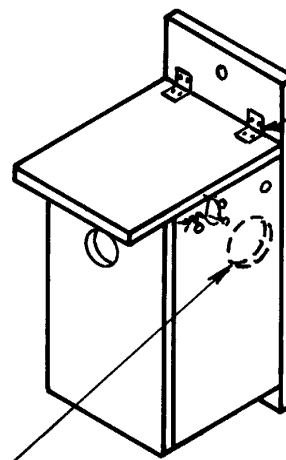


# A Nest-Box Plan for American Kestrels and Screech-Owls



3"-diameter hole



Hinge or cleat roof for cleaning

Wire top shut.

Place 3" of wood shavings in bottom of box.

Optional: Locate 3"-diameter entrance hole on side for squirrel box.

Lumber: One 1" × 10' × 8' 0"

