

Homes For Wildlife

Northern Flicker

Northern flickers are a very common woodpecker across much of Minnesota. They frequently nest in farm groves, orchards, woodlots and in urban areas. Unlike most other woodpeckers, flickers usually forage for ants and grubs on the ground in crop fields and in grassy meadows and yards.

The "secret" of success in attracting flickers is to use 1 1/2-inch thick cedar boards for nest boxes and to fill the interior of the box all the way to the top with sawdust. Tamp in the sawdust before April first so the box is ready when the flickers arrive. This house should have a hinged roof to facilitate filling it with sawdust. The filled box simulates a dead tree with soft heartwood. Since the northern flicker is a "primary excavator," it will start at the entrance hole which is provided and throw out sawdust until a suitable cavity is created. Since this box remains filled with sawdust if not used, sparrows and starlings are not a problem. The entrance hole should be 2 1/2 inches in diameter.

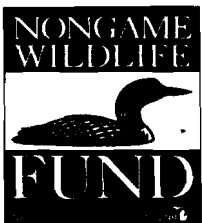
This brilliant nest box idea was developed by Mr. A.J. Boersma of Sioux Center, Iowa.

Flicker boxes should be placed 4-to-6 feet high along fence-rows that border crop fields or pastures. Or they may be placed in orchards and woodlots. Flicker boxes can be attached to existing fence

posts or attached to free-standing posts with predator guards.



Compliments of:



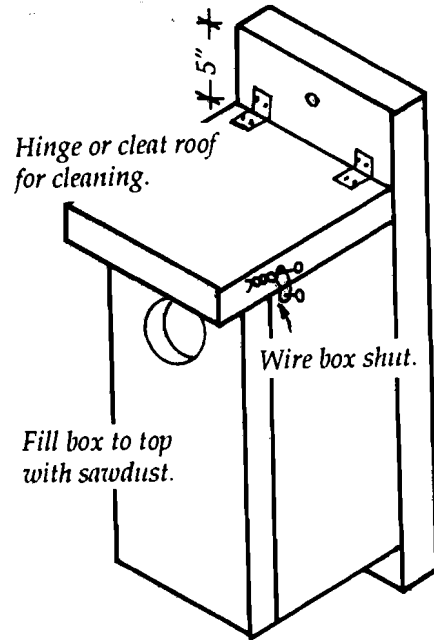
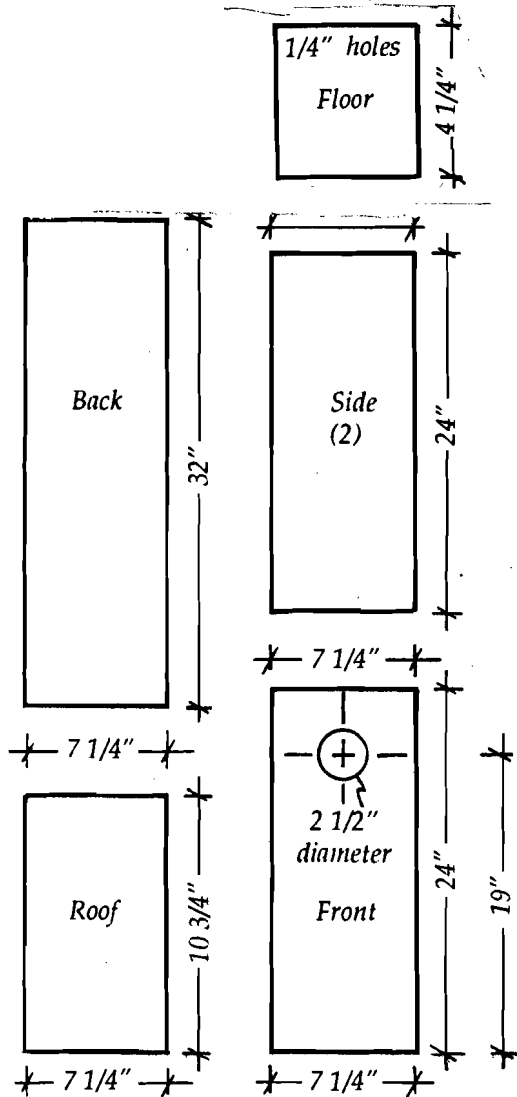
MICHIGAN'S WILDLIFE NEED YOUR HELP.

"Look For the Loon" on your State income tax form and give to the Nongame Wildlife Fund. You can make a direct contribution to the Fund with a check made payable to: "Nongame Wildlife Fund." Mail to: DNR WILDLIFE DIVISION
DEPT BBP • BOX 30180
LANSING MI 48909-7944

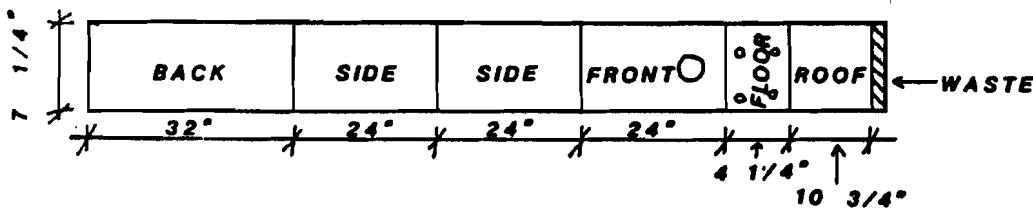
Your contributions are the primary support for critically important work for Michigan's nongame wildlife and endangered plants and animals.

Acknowledgement: Minnesota DNR,
Nongame Wildlife Program

NORTHERN FLICKER NEST BOX



LUMBER: ONE 2"x8"x 12'0"



EQUAL RIGHTS FOR NATURAL RESOURCE USERS

The MI Department of Natural Resources (MDNR) provides equal opportunities for employment and for access to Michigan natural resources. State and federal laws prohibit discrimination on the basis of race, color, sex, national origin, religion, disability, age, marital status, height and weight. If you believe that you have been discriminated against in any program, activity, or facility, please write the MDNR Equal Opportunity Office, P. O. Box 30028, Lansing, MI 48909, or the MI Department of Civil Rights, 1200 6th Avenue, Detroit, MI 48226, or the Office of Human Resources, U. S. Fish and Wildlife Service, Washington, DC 20240.

For information or assistance on this publication, contact MDNR, Wildlife Division P. O. Box 30444, Lansing, MI 48909-7944.

Michigan Department of Natural Resources
Wildlife Division
Natural Heritage Program

